

**GENERAL NOTES:**

1. ALL FASTENERS SHALL BE IN ACCORDANCE WITH THESE DRAWINGS. SPECIFIED ANCHOR EMBED TO BASE MATERIAL SHALL BE BEYOND WALL FINISH OR STUCCO.
2. OPENINGS, BUCKING & BUCKING FASTENERS MUST BE PROPERLY DESIGNED & INSTALLED TO TRANSFER WIND LOADS TO THE STRUCTURE.
3. THESE NON-IMPACT RATED PRODUCT INSTALLATIONS ARE IN ACCORDANCE WITH AND MEET THE REQUIREMENTS OF THE FLORIDA BUILDING CODE (FBC).
4. ALL ANCHORS SECURING PRODUCT FRAMES TO PRESSURE TREATED BUCKS OR WOOD FRAMING SHALL BE CAPABLE OF RESISTING CORROSION CAUSED BY THE PRESSURE TREATING CHEMICALS IN THE WOOD.
5. MATERIALS, INCLUDING BUT NOT LIMITED TO STEEL SCREWS, THAT COME INTO CONTACT WITH OTHER DISSIMILAR MATERIALS SHALL MEET THE REQUIREMENTS OF FLORIDA BUILDING CODE CHAPTER 20.
6. TO THE BEST OF OUR KNOWLEDGE, THE PRODUCT SHOWN HEREIN IS CERTIFIED & QUALITY ASSURED BY A FLORIDA STATE APPROVED CERTIFICATION/QA ENTITY & SHALL BE LABELED IN ACCORDANCE WITH THE FBC AND THE FLORIDA DEPARTMENT OF BUSINESS & PROFESSIONAL REGULATION SPECIFICATIONS. PRODUCT ASSEMBLY IS NOT PART OF THIS DRAWING AND SHALL BE IN ACCORDANCE WITH THE MANUFACTURER'S QUALITY ASSURANCE SPECIFICATIONS & TESTING REPORTS.
7. CERTIFICATION OF THESE PRODUCT INSTALLATIONS SHALL BE CONSIDERED VOID IF ANY OF THE FOLLOWING APPLY: 1) PRODUCT IS INSTALLED WITHOUT A BUILDING PERMIT FROM THE APPLICABLE LOCAL BUILDING DEPARTMENT. 2) PRODUCT IS INSTALLED BY ANYONE OTHER THAN A LICENSED CONTRACTOR EXPERIENCED WITH INSTALLATIONS OF THIS TYPE OF PRODUCT. 3) IF CHANGES HAVE OCCURRED TO THE PRODUCT'S CERTIFICATION ENTITY'S CERTIFICATE THAT CAUSE THESE INSTALLATIONS TO BE INCORRECT OR INCONSISTENT WITH WHAT HAS BEEN TESTED.
8. THE LEAST DESIGN PRESSURE SPECIFIED EITHER IN THIS DRAWING OR IN THE PRODUCT'S CERTIFICATION SHALL CONTROL FOR THE INSTALLED PRODUCT.
9. THESE DRAWINGS CERTIFY THE PRODUCT INSTALLATION ONLY. WATER PROOFING OF THE INSTALLED PRODUCT IS NOT PART OF THIS INSTALLATION CERTIFICATION. THAT RESPONSIBILITY SHALL BE THAT OF THE MANUFACTURER &/OR INSTALLER.

INSTALLATION EVALUATION IS BASED ON APPLICABLE ANCHOR STANDARDS AND/OR INFORMATION & RESULTS FROM APPLICABLE TEST REPORTS. THE FLORIDA BUILDING CODE VERSION CONSIDERED WITH THE EVALUATION WAS THAT IN FORCE AT THE TIME OF THE EVALUATION. IN THE EVENT OF CODE VERSION CHANGES/UPDATES OR IN THE EVENT THAT NEW OR ADDITIONAL TESTING IS COMPLETED ON THE REFERENCED PRODUCT, PRIOR TO STATING CODE COMPLIANCE WITH THE STATE, THE MANUFACTURER SHALL CONFIRM WITH THE INSTALLATION EVALUATION ENGINEER OF RECORD THAT THE INSTALLATIONS SPECIFIED HERE-IN ARE CURRENT WITH THE THEN CURRENT TESTING, CODE AND APPLICABLE STANDARDS.

**FRAME ANCHOR REQUIREMENTS TABLE**

OPENING TYPE (SUBSTRATE)	FRAME/CLIP/NAIL FIN TO OPENING FASTENER TYPE	MINIMUM EMBED	MINIMUM EDGE DIST.
(4) MIN. 2X WOOD FRAME OR BUCK (MIN. GR. 3 & G=0.55)	NO. 10 SMS OR WOOD SCREW	1 1/4"	3/4"
	NO. 18 GA. 33 KSI METAL STUD	FULL	1/2"
	NO. 1/8" THK A36 STEEL	FULL	1/2"
	NO. 1/8" THK 6063-T5 ALUM.	FULL	1/2"
C-90 CMU/2500 PSI CONCRETE	(1) 1/4" CONCRETE SCREW	1 1/4"	2"
	(2) INSTALLATION CLIP SCREWS (BENT & 3-PIECE CLIPS)		
	NO. 8 X 1 1/2" SMS	1 3/8"	(2) N/A
	NO. 1/8" THK A36 STEEL	FULL	(2) N/A
MIN. 1/8" THK 6063-T5 ALUM.	NO. 8 GR. 5 SELF TAP/DRILL SCREW	FULL	(2) N/A
	NO. 1/8" THK 6063-T5 ALUM.	FULL	(2) N/A
	NO. 8 GR. 5 SELF TAP/DRILL SCREW	FULL	1/2"
	NO. 1/8" THK 6063-T5 ALUM.	FULL	1/2"
(3) NAILING FIN FASTENERS	NO. 8 GR. 5 SELF TAP/DRILL SCREW	FULL	1/2"
	NO. 8 GR. 5 SELF TAP/DRILL SCREW	FULL	1/2"
	NO. 8 GR. 5 SELF TAP/DRILL SCREW	FULL	1/2"
	NO. 8 GR. 5 SELF TAP/DRILL SCREW	FULL	1/2"
(4) MIN. 2X WOOD FRAME OR BUCK (MIN. GR. 3 & G=0.55)	NO. 8 X 1 1/2" SMS	1 3/8"	1/2"
	NO. 2X WOOD FRAME OR BUCK	11 GA. ROOFING NAIL	1 3/8"
	NO. 1/8" THK A36 STEEL	FULL	1/2"
	NO. 1/8" THK 6063-T5 ALUM.	FULL	1/2"
STRIKE SCREWS			
(4) MIN. 2X WOOD FRAME OR BUCK (MIN. GR. 3 & G=0.55)	NO. 8 SMS OR WOOD SCREW	1 1/4"	3/4"
	NO. 18 GA. 33 KSI METAL STUD	FULL	1/2"
	NO. 1/8" THK A36 STEEL	FULL	1/2"
	NO. 1/8" THK 6063-T5 ALUM.	FULL	1/2"
C-90 CMU/2500 PSI CONCRETE			
(1) CONCRETE SCREWS SHALL BE ELCO ULTRACONS (C.S.), ELCO CRETE-FLEX (S.S.), ITW RAMSET/RED HEAD TAPCONS (C.S. OR S.S.) OR HILTI Kwik-CON II (C.S. OR S.S.).	NO. 8 GR. 5 SELF TAP/DRILL SCREW	FULL	1/2"
	NO. 8 GR. 5 SELF TAP/DRILL SCREW	FULL	1/2"
	NO. 8 GR. 5 SELF TAP/DRILL SCREW	FULL	1/2"
	NO. 8 GR. 5 SELF TAP/DRILL SCREW	FULL	1/2"

MAX. FRAME WIDTH PER "ALLOWABLE DESIGN PRESSURE" TABLE  
10" MAX. O.C.

6" MAX.

6" MAX.

6" MAX.

NAIL FIN AND ANCHORING OF NAIL FIN IS OPTIONAL AT HEAD & SHALL NOT ACT AS A SUBSTITUTE FOR THE FRAME ANCHORS SPECIFIED. FIN MAY BE REMOVED WHEN REQUIRED BY OPENING CONDITIONS.

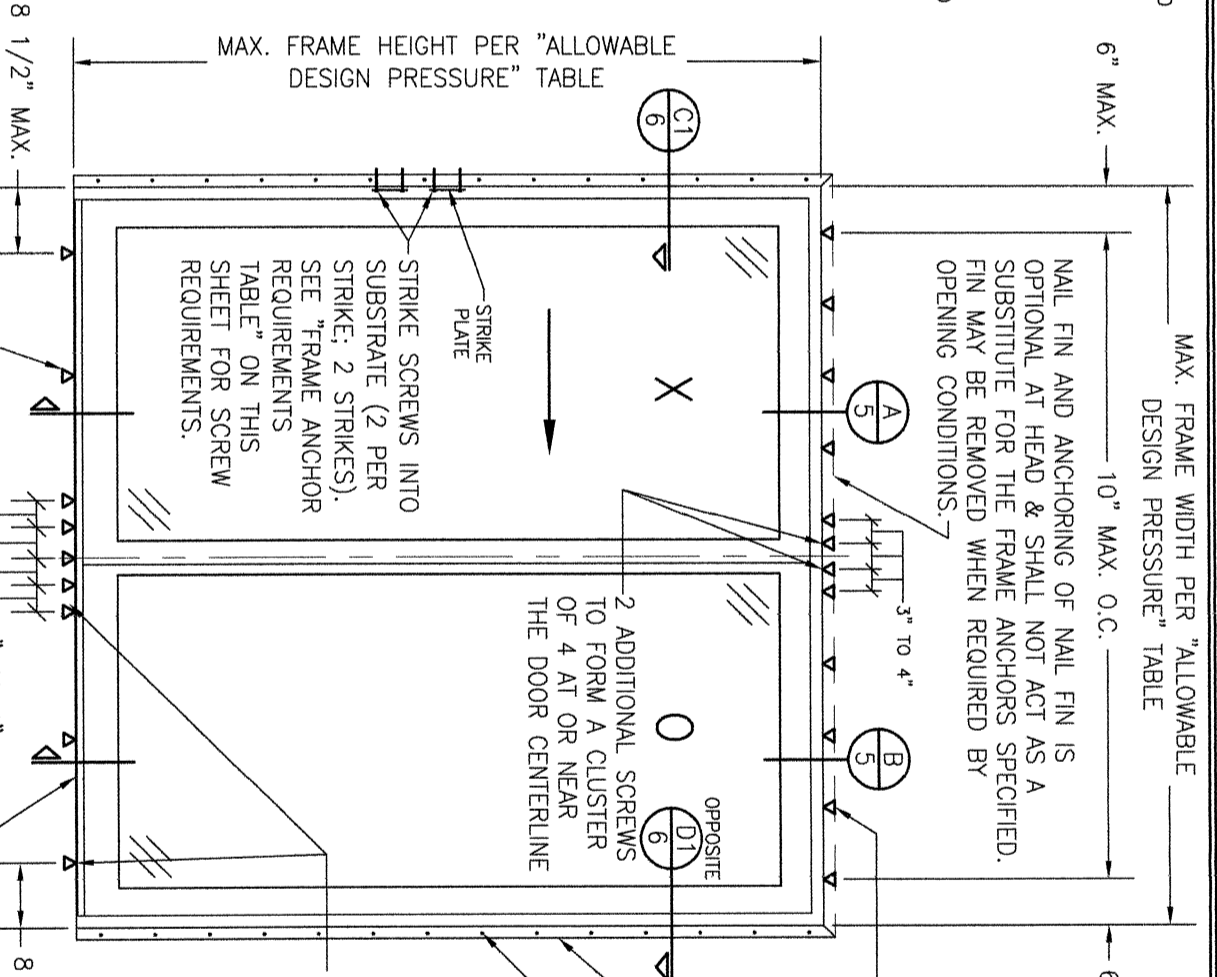
FRAME SCREWS WHERE SHOWN AT HEAD. SEE "FRAME ANCHOR REQUIREMENTS TABLE" ON THIS SHEET FOR REQUIREMENTS (ALWAYS REQ'D AT HEAD).

2 NAIL FIN (REQ'D AT SIDES)

FIN FASTENER WITHIN 8" OF CORNERS & 8" MAX. O.C. SEE "FRAME ANCHOR REQUIREMENTS TABLE" ON THIS SHEET FOR REQUIREMENTS.

SILL SCREWS WHERE SHOWN. SEE "FRAME ANCHOR REQUIREMENTS TABLE" ON THIS SHEET FOR REQUIREMENTS. (5) REQUIRED AT SILL MID-SPAN WHEN DOOR HEIGHT EXCEEDS 95 1/2" & PANEL WIDTH EXCEEDS 48". 4 REQUIRED OTHERWISE.)

PLACE SILL IN A BED OF STRUCTURAL SEALANT/ADHESIVE



**EXTERIOR ELEVATION: 2-PANEL SLIDING DOOR**  
SCALE: 1/2" = 1'-0"  
(NAIL FIN MOUNT CONDITION)  
(XO SHOWN. OX ALSO APPLIES)

EDGE DISTANCE MAY BE DECREASED TO 1 1/2" IF SCREWS ARE ANGLED 15 TO 20 DEGREES AWAY FROM THE EDGE.

**ANCHOR/SUBSTRATE EVALUATION NOTE:**

ALL ANCHORS IN THEIR SPECIFIED SUBSTRATES HAVE BEEN ANALYZED IN ACCORDANCE WITH THEIR APPLICABLE STANDARD(S) AND ARE FOUND TO BE CAPABLE OF SUPPORTING ALL LOADS IMPOSED ON THEM UNDER THE GUIDELINES OF THIS DOCUMENT. ANY SUBSTRATES OR CONDITIONS OUTSIDE OF WHAT IS SHOWN HERE-IN SHALL BE SUBJECT TO JOB SPECIFIC ENGINEER'S REVIEW & CERTIFICATION.

**INSTALLATION NOTE:**

WHEN NECESSARY, INSTALLATION METHODS MAY BE MIXED WITH ANY ONE WINDOW SUCH THAT INDIVIDUAL SIDES OF THE WINDOW MAY USE ONE OR THE OTHER ANCHOR METHOD (EXAMPLE: LEFT SIDE MAY USE FRAME SCREWS METHOD WHILE OTHER SIDES USE FIN)

THESE DRAWINGS ARE APPLICABLE ONLY TO THE PRODUCT SPECIFIED. THEY MAY NOT BE USED FOR THE ASSEMBLY AND/OR INSTALLATION OF ANY OTHER PRODUCT NOR MAY THEY BE USED FOR RATIONAL AND/OR LOCAL APPROVAL OF ANY PRODUCT NOT PRODUCED BY THE MANUFACTURER STATED ON THESE DRAWINGS.

NO.	REVISION DESCRIPTION	BY	DATE
A1	UPDATE TO CURENT STANDARDS	W.R.M.	12/16/11
B1	UPDATE PER NEW TESTING	W.R.M.	05/15/13
C1	UPDATE TO CURRENT STANDARDS	W.W.S.	10/04/16
D1	UPDATE TO NEW TESTING	W.W.S.	05/17/17
E1	ADD 10' DOORS	W.W.S.	12/12/17
F1	ADDED NEW CLIP INSTALL OPTION	W.W.S.	06/19/24

**DRAWING TITLE** PELLA/ARCHITECT SERIES NON-IMPACT CLAD SLIDING PATIO DOOR

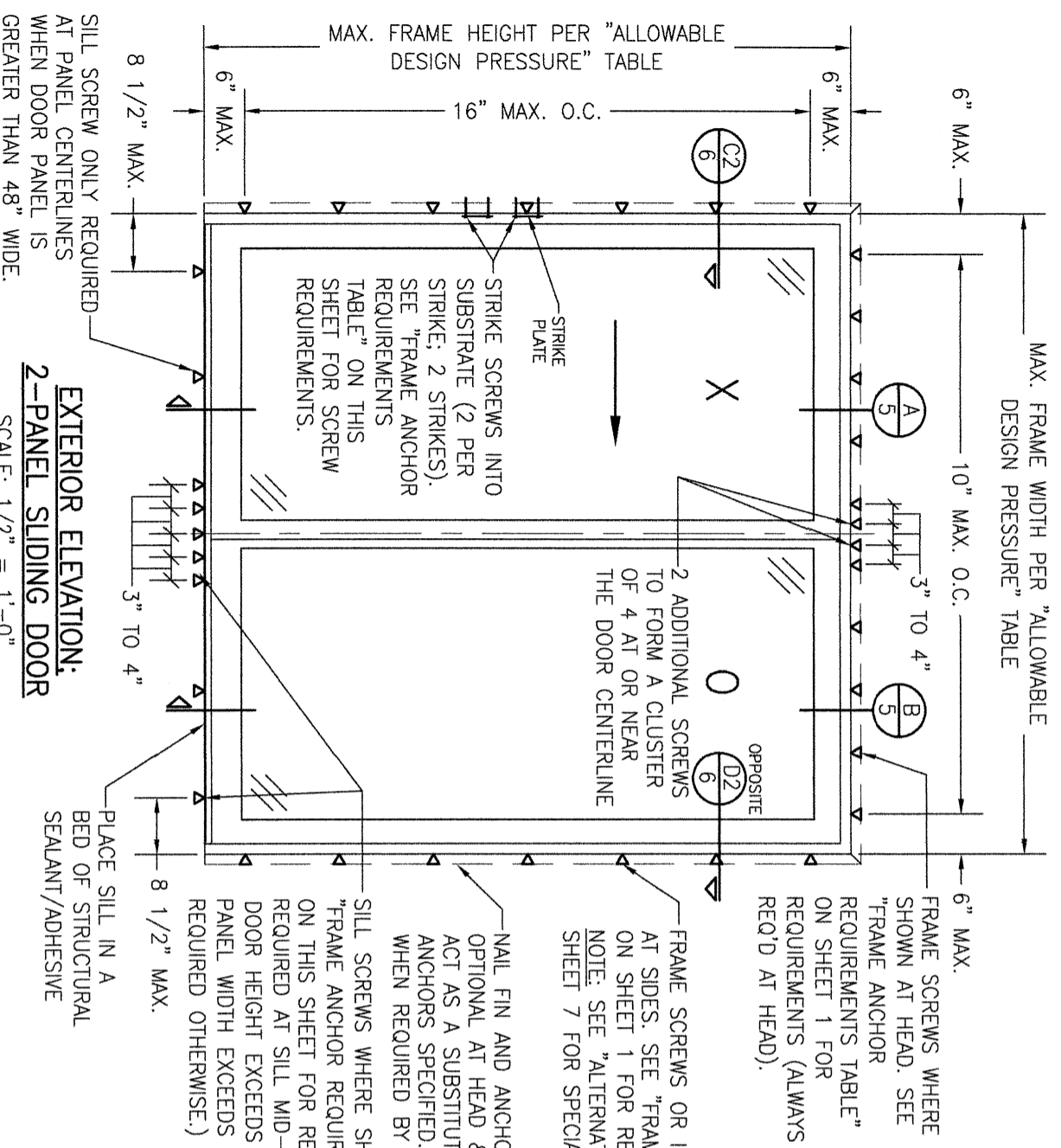
**CONSULTANTS** W. W. SCHAEFER ENGINEERING & CONSULTING, P.A.  
25601 AYSEN DRIVE  
PUNTA GORDA, FL 33983  
PHONE: 561-744-3424

**MANUFACTURER** PELLA CORPORATION  
102 MAIN STREET  
PELLA, IA 50219  
641-621-1000

**CERTIFICATION** WARREN W. SCHAEFER, P.E.  
P.E. NO. 44135

**DRAWING NO.** 1666  
**REV.** F

**SHEET NO.** 1 OF 8



MAX. FRAME HEIGHT PER "ALLOWABLE DESIGN PRESSURE" TABLE

16" MAX. O.C.

6" MAX.

8 1/2" MAX.

6" MAX.

10" MAX. O.C.

3" TO 4"

2 ADDITIONAL SCREWS TO FORM A CLUSTER OF 4 AT OR NEAR THE DOOR CENTERLINE

OPPOSITE

6" MAX.

FRAME SCREWS WHERE SHOWN AT HEAD. SEE "FRAME ANCHOR REQUIREMENTS TABLE" ON SHEET 1 FOR REQUIREMENTS (ALWAYS REQ'D AT HEAD).

NAIL FIN AND ANCHORING OF NAIL FIN IS OPTIONAL AT HEAD & SHALL NOT ACT AS A SUBSTITUTE FOR THE FRAME ANCHORS SPECIFIED. FIN MAY BE REMOVED WHEN REQUIRED BY OPENING CONDITIONS.

FRAME SCREWS OR INSTALLATION CLIPS WHERE SHOWN AT SIDES. SEE "FRAME ANCHOR REQUIREMENTS TABLE" ON SHEET 1 FOR REQUIREMENTS. NOTE: SEE "ALTERNATE 3-PIECE CLIP DETAIL" ON SHEET 7 FOR SPECIAL CONDITIONS OF 3-PIECE CLIPS.

NAIL FIN AND ANCHORING OF NAIL FIN IS OPTIONAL AT HEAD & SHALL NOT ACT AS A SUBSTITUTE FOR THE FRAME ANCHORS SPECIFIED. FIN MAY BE REMOVED WHEN REQUIRED BY OPENING CONDITIONS.

SILL SCREWS WHERE SHOWN. SEE "FRAME ANCHOR REQUIREMENTS TABLE" ON THIS SHEET FOR REQUIREMENTS. (5 REQUIRED AT SILL MID-SPAN WHEN DOOR HEIGHT EXCEEDS 95 1/2" & PANEL WIDTH EXCEEDS 48" & REQUIRED OTHERWISE.)

8 1/2" MAX.

PLACE SILL IN A BED OF STRUCTURAL SEALANT/ADHESIVE

STRIKE SCREWS INTO SUBSTRATE (2 PER STRIKE; 2 STRIKES). SEE "FRAME ANCHOR REQUIREMENTS TABLE" ON THIS SHEET FOR SCREW REQUIREMENTS.

STRIKE PLATE

EXTERIOR ELEVATION: 2-PANEL SLIDING DOOR

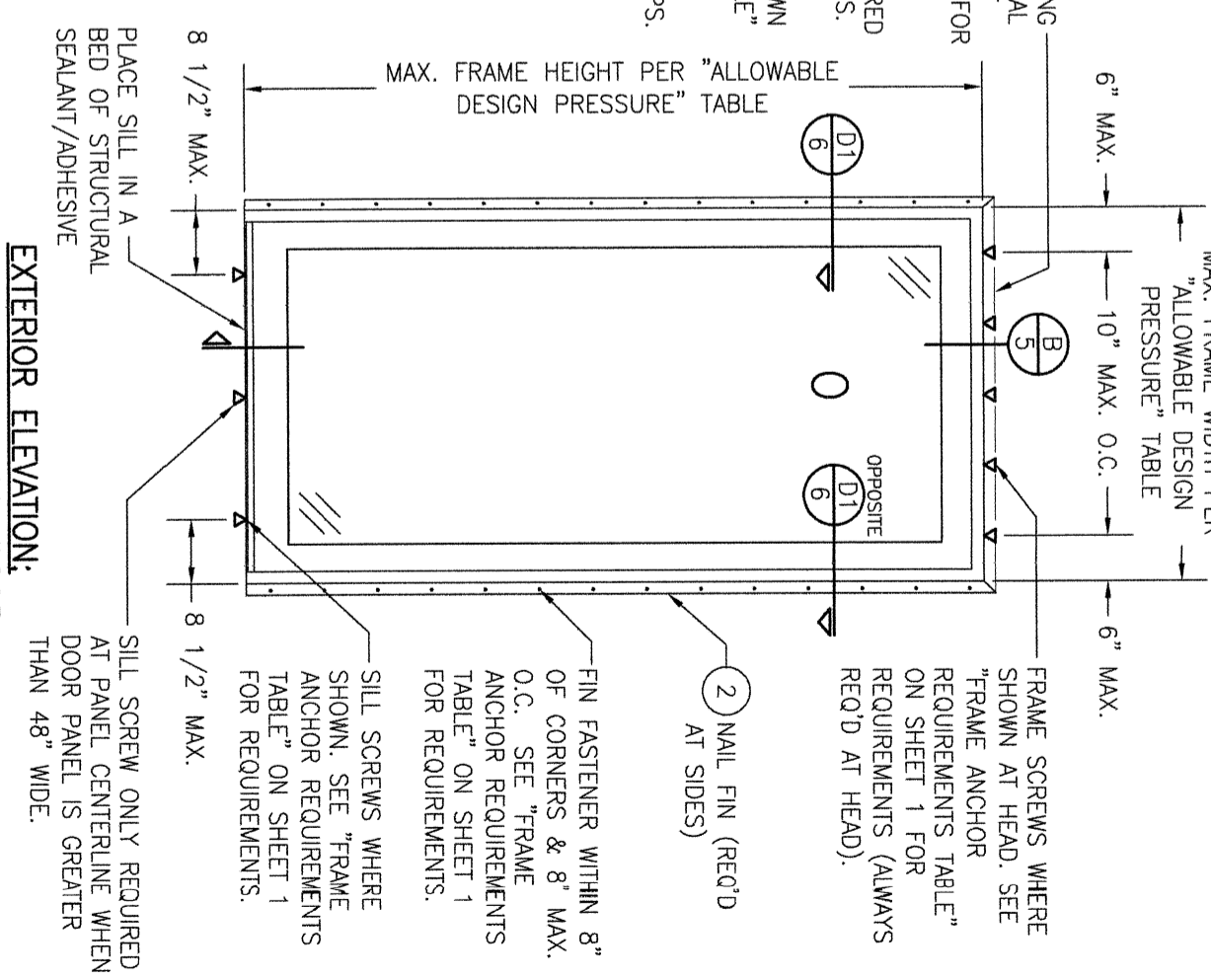
SCALE: 1/2" = 1'-0"

(FRAME SCREW & CLIP MOUNT CONDITION)

(XO SHOWN. OX ALSO APPLIES)

ALLOWABLE DESIGN PRESSURE			
(2-PANEL SLIDING DOOR)			
MAX. FRAME WIDTH (IN.)	MAX. FRAME HEIGHT (IN.)	ALLOWABLE PRESSURE (PSF)	
		POS.	NEG.
95 1/4	95 1/2	60	60
71 1/4	95 1/2	65	65
119 1/4	119 1/2	35	45

PRESSURES SHOWN IN THIS TABLE ARE GOVERNED BY INSTALLATION ONLY. THE LESSER PRESSURE SHOWN IN THIS TABLE AND THE DOOR APPROVAL SHALL CONTROL.



MAX. FRAME HEIGHT PER "ALLOWABLE DESIGN PRESSURE" TABLE

8 1/2" MAX.

6" MAX.

10" MAX. O.C.

6" MAX.

6" MAX.

FRAME SCREWS WHERE SHOWN AT HEAD. SEE "FRAME ANCHOR REQUIREMENTS TABLE" ON SHEET 1 FOR REQUIREMENTS (ALWAYS REQ'D AT HEAD).

NAIL FIN AND ANCHORING OF NAIL FIN IS OPTIONAL AT HEAD & SHALL NOT ACT AS A SUBSTITUTE FOR THE FRAME ANCHORS SPECIFIED. FIN MAY BE REMOVED WHEN REQUIRED BY OPENING CONDITIONS.

FIN FASTENER WITHIN 8" OF CORNERS & 8" MAX. O.C. SEE "FRAME ANCHOR REQUIREMENTS TABLE" ON SHEET 1 FOR REQUIREMENTS.

2 NAIL FIN (REQ'D AT SIDES)

SILL SCREWS WHERE SHOWN. SEE "FRAME ANCHOR REQUIREMENTS TABLE" ON SHEET 1 FOR REQUIREMENTS.

8 1/2" MAX.

PLACE SILL IN A BED OF STRUCTURAL SEALANT/ADHESIVE

EXTERIOR ELEVATION: SINGLE FIXED PANEL DOOR

SCALE: 1/2" = 1'-0"

(NAIL FIN MOUNT CONDITION)

ALLOWABLE DESIGN PRESSURE			
(SINGLE FIXED PANEL DOOR)			
MAX. FRAME WIDTH (IN.)	MAX. FRAME HEIGHT (IN.)	ALLOWABLE PRESSURE (PSF)	
		POS.	NEG.
48 13/16	95 1/2	70	70
60 13/16	119 1/2	40	50

NO.	REVISION DESCRIPTION	BY	DATE

DRAWING TITLE: PELLA/ARCHITECT SERIES NON-IMPACT CLAD SLIDING PATIO DOOR

CONSULTANTS: W. W. SCHAEFER ENGINEERING & CONSULTING, P.A.

MANUFACTURER: PELLA CORPORATION

102 MAIN STREET  
PELLA, IA 50219  
641-621-1000

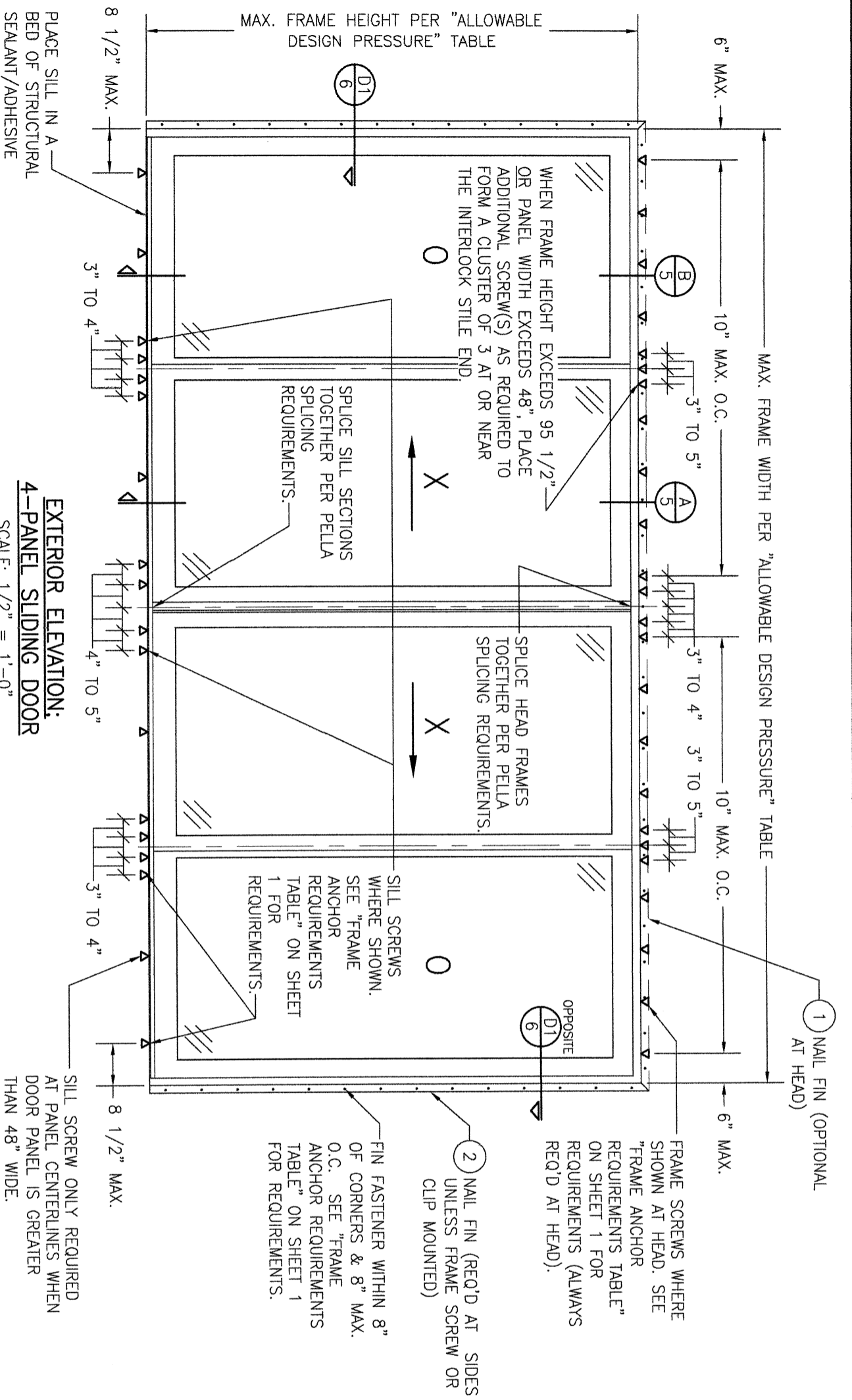
CERTIFICATION: WARREN W. SCHAEFER, P.E. P.E. NO. 44135

DRAWING NO.: 1666

REV. F

SHEET NO. 2 OF 8





NAIL FIN MOUNT IS SHOWN AT SIDE JAMBS, FOR FRAME SCREW & CLIP MOUNT CONDITIONS AT SIDE JAMBS, SEE 2-PANEL DOOR ELEVATION

**EXTERIOR ELEVATION:  
4-PANEL SLIDING DOOR**

SCALE: 1/2" = 1'-0"

**ALLOWABLE DESIGN PRESSURE**

(4-PANEL SLIDING DOOR)

MAX. FRAME WIDTH (IN.)	MAX. FRAME HEIGHT (IN.)	ALLOWABLE PRESSURE (PSF)	
		POS.	NEG.
140 1/8	95 1/2	40	40
188 1/8	95 1/2	30	30
236 1/8	119 1/2	25	25

NO.	REVISION DESCRIPTION	BY	DATE

DRAWN BY: W.R.M.S. CHECKED BY: W.R.M.S.

DATE: 04/20/09

PLT: 1=24

MANUFACTURER



**PELLA CORPORATION**  
102 MAIN STREET  
PELLA, IA 50219  
641-621-1000

CONSULTANTS

**W. W. SCHAEFER ENGINEERING & CONSULTING, P.A.**

25601 AYSEN DRIVE  
PUNTA GORDA, FL 33983  
PHONE: 561-744-3424

CERTIFICATION

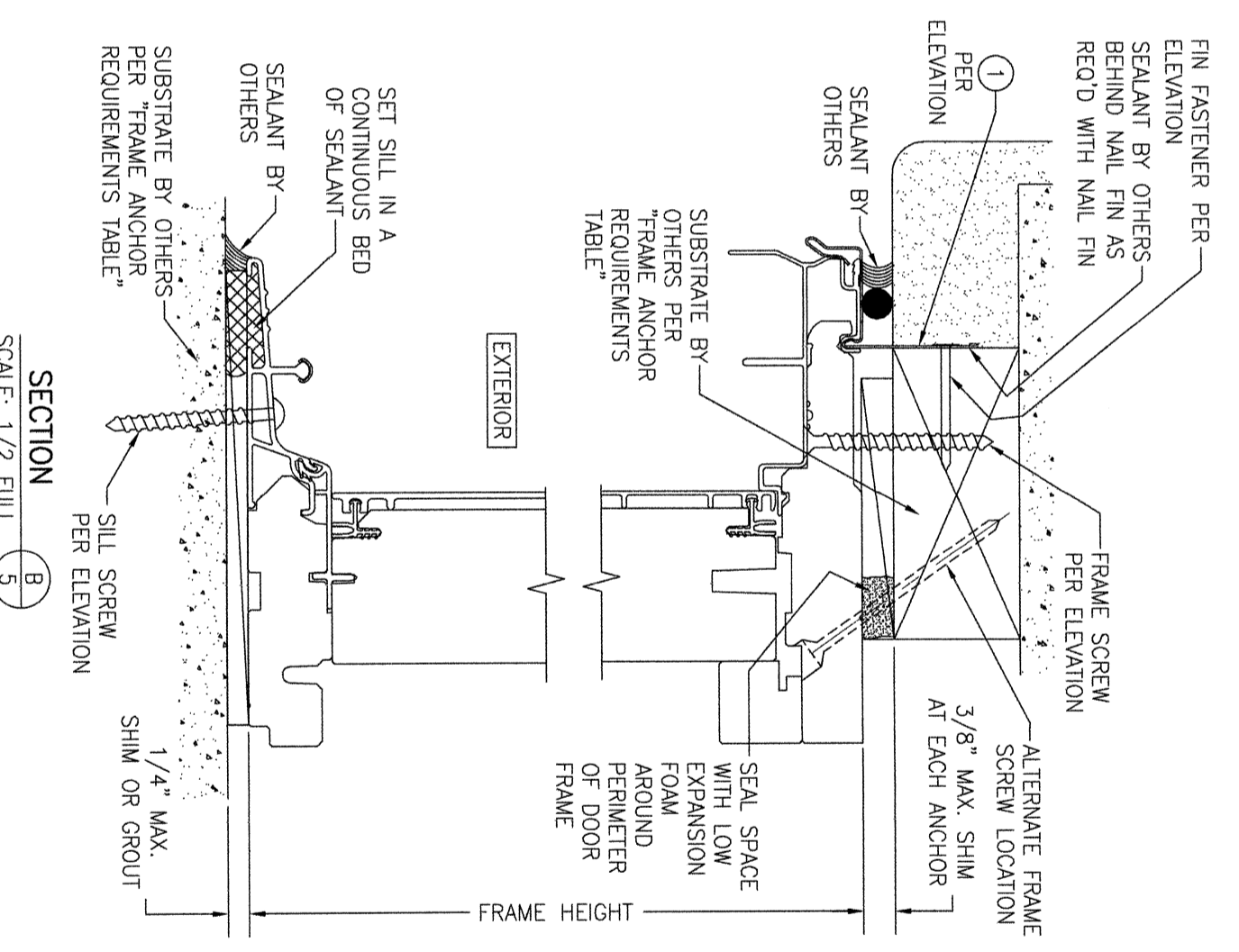
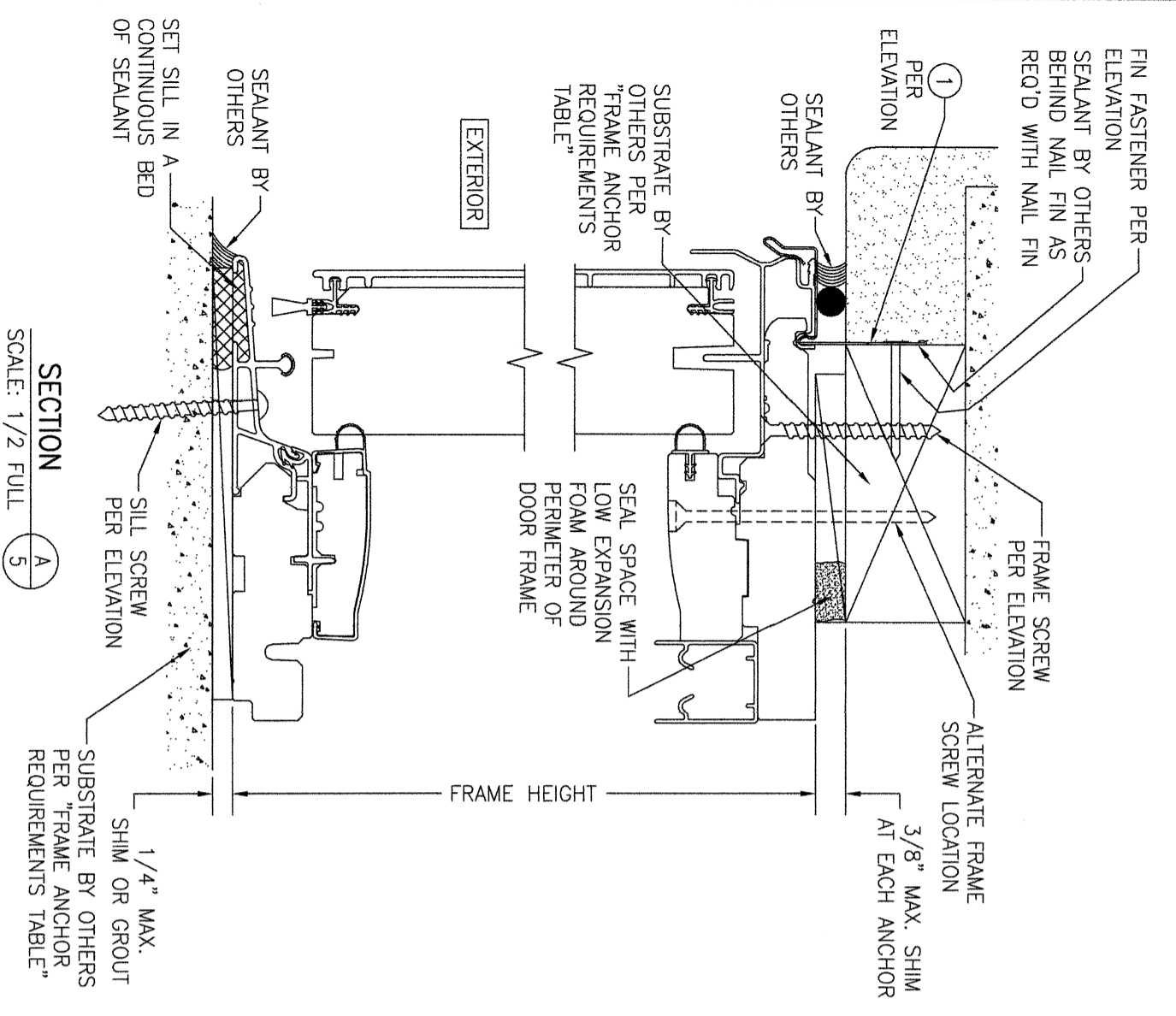
WARREN W. SCHAEFER, P.E.  
P.E. NO. 44135

DRAWING NO.: 1666

REV. F


SHEET NO. 4 OF 8





NO.	REVISION DESCRIPTION	BY	DATE
1-2			

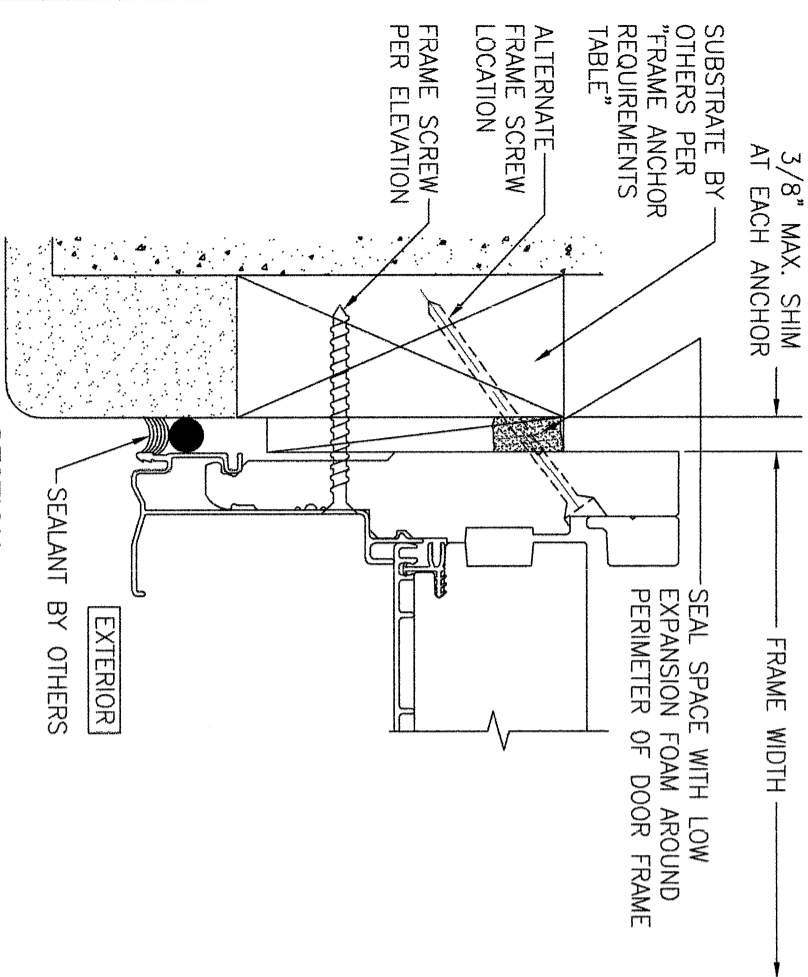
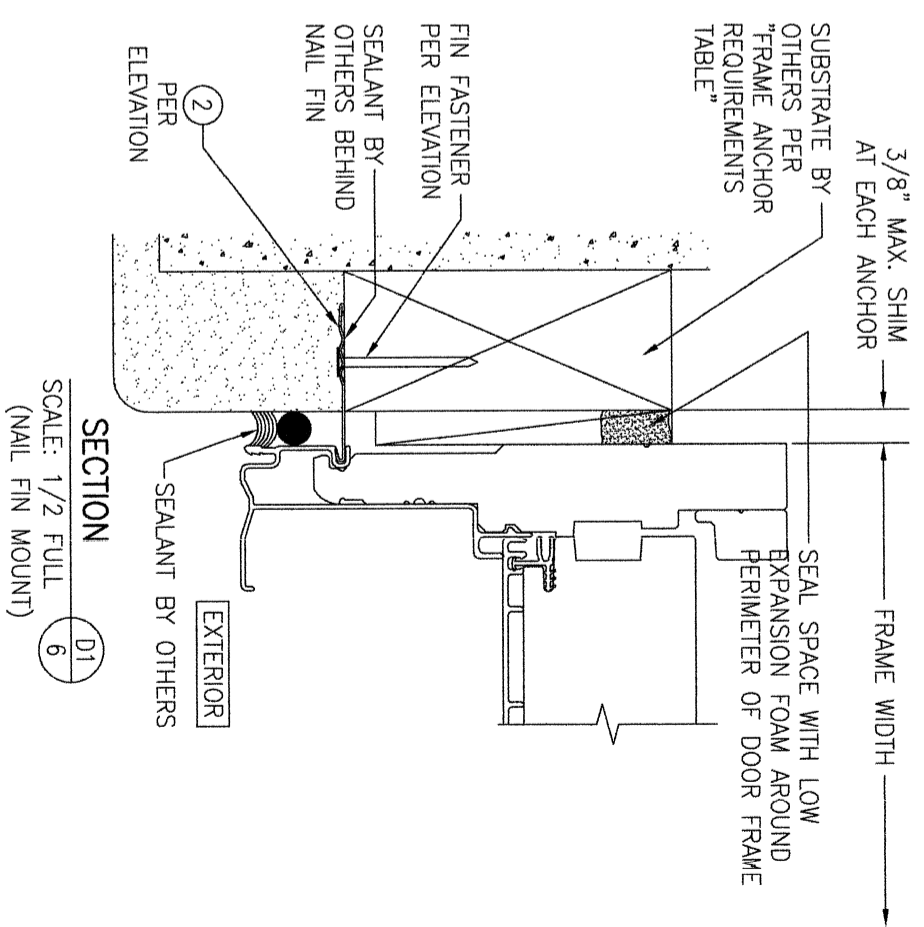
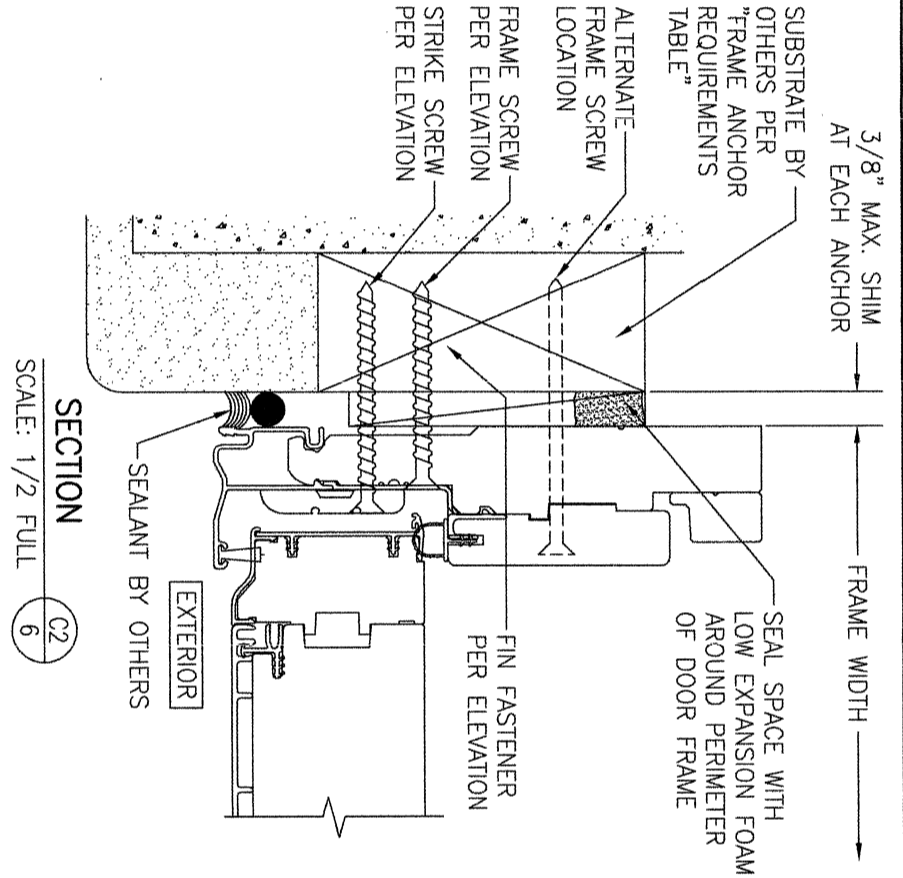
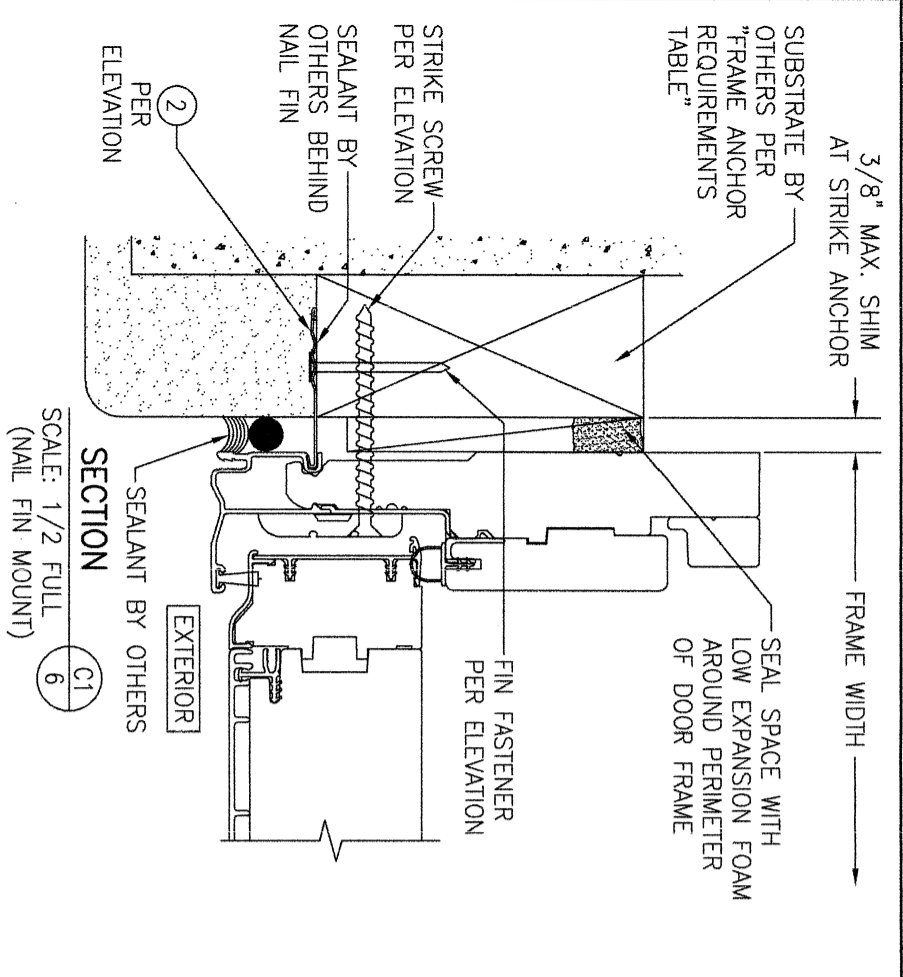
**DRAWING TITLE** PELLA/ARCHITECT SERIES NON-IMPACT CLAD SLIDING PATIO DOOR

<b>CONSULTANTS</b> W. W. SCHAEFER ENGINEERING & CONSULTING, P.A. (CA 6809) 7480 150TH COURT NORTH PALM BEACH GARDENS, FL 33418 PHONE: 561-744-3424	<b>MANUFACTURER</b>  PELLA CORPORATION 102 MAIN STREET PELLA, IA 50219 641-621-1000
--	--

**CERTIFICATION**  
WARREN W. SCHAEFER, P.E.  
P.E. NO. 44135


**DRAWING NO.** 1666  
**REV.** F

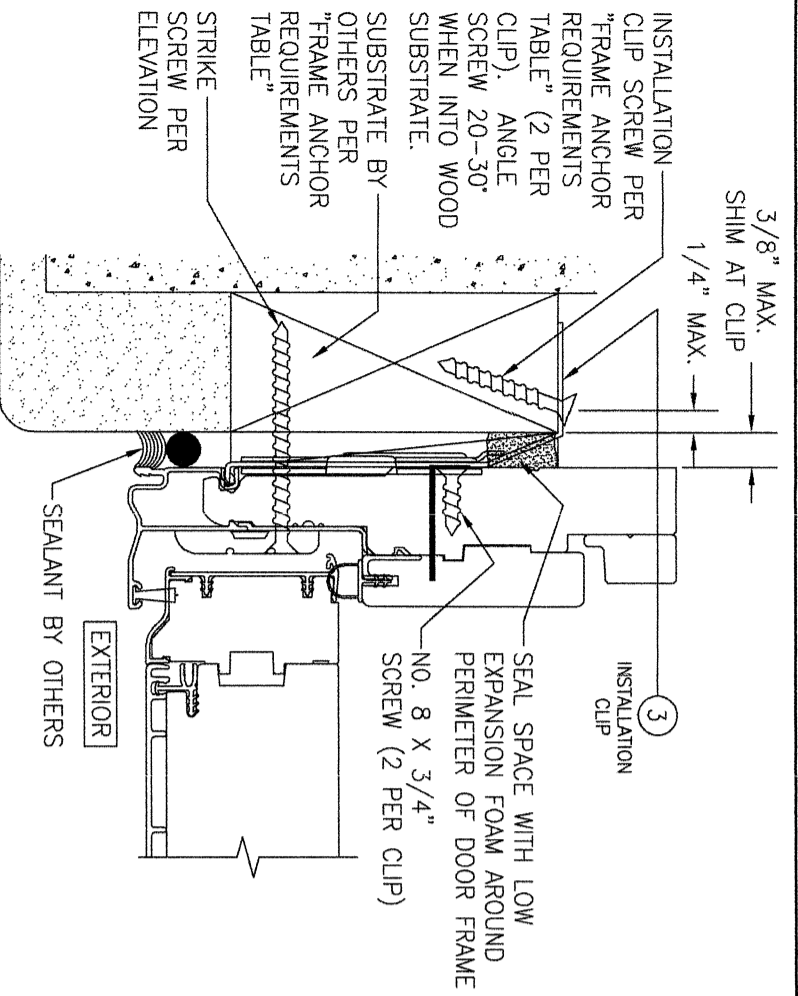
**SHEET NO.** 5 OF 8



FRAME SCREW MOUNT SHOWN. SEE DETAILS ON SHEET 7 FOR DIRECT MOUNT & CLIP MOUNT DETAILS.

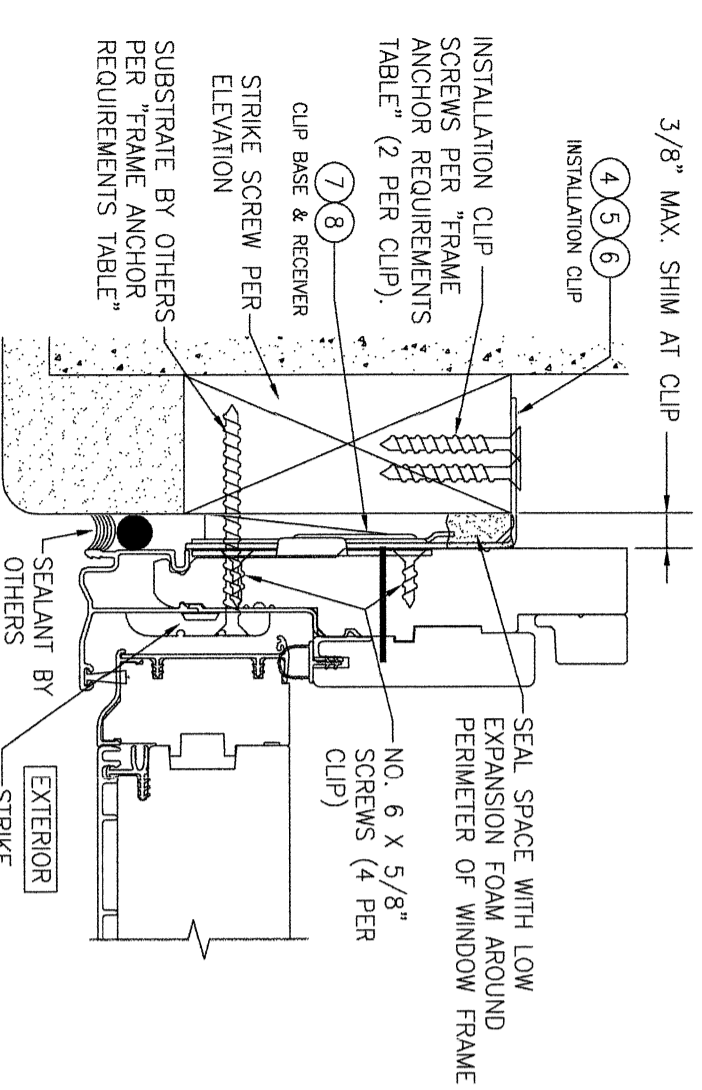
FRAME SCREW MOUNT SHOWN. SEE DETAILS ON SHEET 7 FOR DIRECT MOUNT & CLIP MOUNT DETAILS.

DRAWING NO. <b>1666</b> REV. <b>F</b>	SHEET NO. <b>6</b> OF <b>8</b>	CERTIFICATION WARREN W. SCHAEFER, P.E. P.E. NO. 44135		DRAWING TITLE <b>PELLA/ARCHITECT SERIES NON-IMPACT CLAD SLIDING PATIO DOOR</b>		CONSULTANTS <b>W. W. SCHAEFER ENGINEERING &amp; CONSULTING, P.A. (CA 6809)</b> 7480 150TH COURT NORTH PALM BEACH GARDENS, FL 33418 PHONE: 561-744-3424		MANUFACTURER  <b>PELLA CORPORATION</b> 102 MAIN STREET PELLA, IA 50219 641-621-1000		NO. REVISION DESCRIPTION BY DATE		DRAWN BY: W.R.M.	CHECKED BY: W.M.S.
		DATE: 02/20/09		PLOT: 1-2		DATE: 02/20/09		DATE: 02/20/09		DATE: 02/20/09		DATE: 02/20/09	



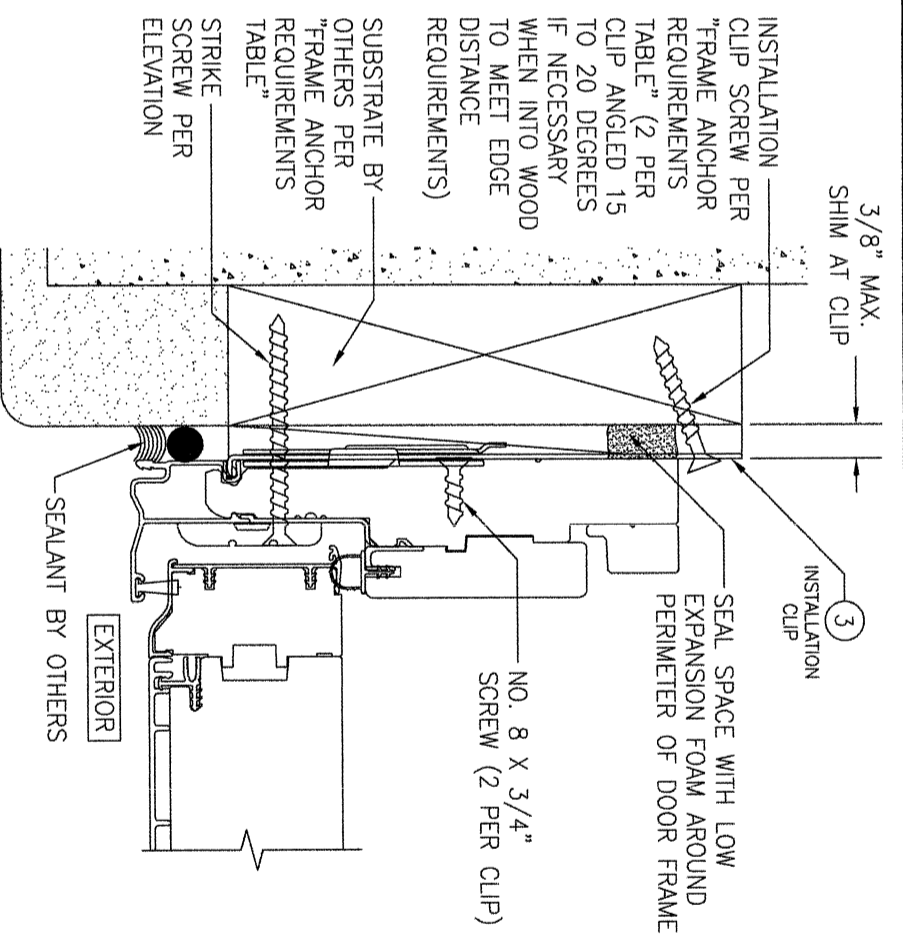
**STANDARD INSTALLATION CLIP DETAIL**  
(BENT CLIP CONDITION)

(OPERABLE DOOR SHOWN, FIXED PANEL DOOR ALSO APPLIES)  
(THIS INSTALLATION CONDITION IS NOT APPLICABLE AT HEAD OR SILL)



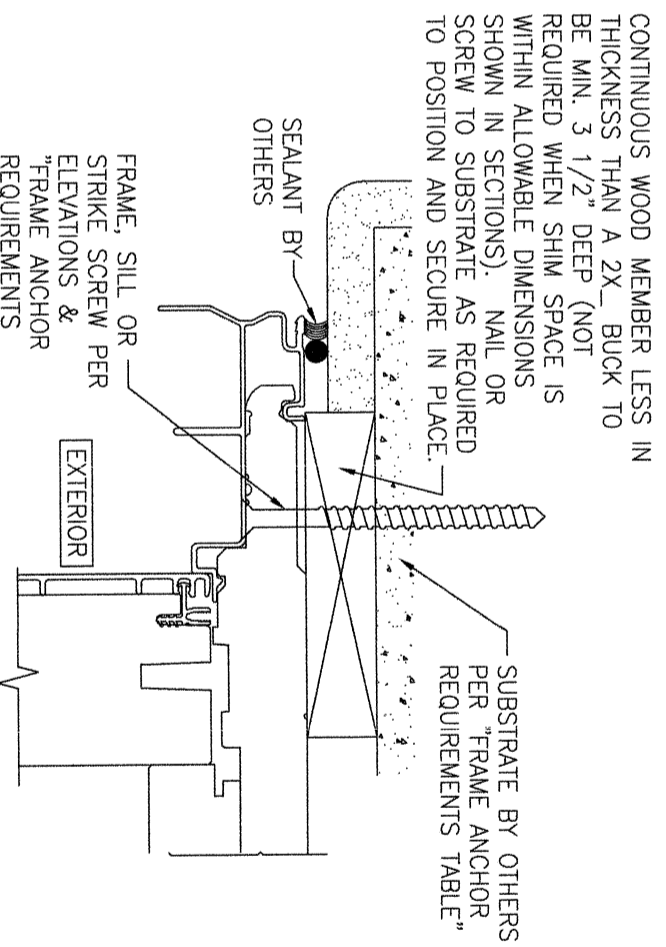
**ALTERNATE 3-PIECE INSTALLATION CLIP DETAIL**

(OPERABLE DOOR SHOWN, FIXED PANEL DOOR ALSO APPLIES)  
(THIS INSTALLATION CONDITION IS NOT APPLICABLE AT HEAD OR SILL)  
NOTE: 3-PIECE CLIPS MAY ACT AS SPOT OR FULL REPLACEMENTS OF EITHER THE FRAME SCREWS, STANDARD BENT CLIPS OR STRAIGHT CLIPS. THEREFORE, ANY ONE OR ALL OF THE FRAME SCREWS/CLIPS SPECIFIED IN THE ELEVATION(S) MAY BE REPLACED WITH 3-PIECE CLIPS.



**ALTERNATE INSTALLATION CLIP DETAIL**  
(STRAIGHT CLIP CONDITION)

(OPERABLE DOOR SHOWN, FIXED PANEL DOOR ALSO APPLIES)  
(THIS INSTALLATION CONDITION IS NOT APPLICABLE AT HEAD OR SILL)



**OPTIONAL DIRECT MOUNT DETAIL TO SUBSTRATE WITH SPACER**

(HEAD SECTION SHOWN; SILL & SIDES ARE INSTALLED THE SAME)  
(FOR DETAIL NOT SHOWN, SEE OTHER SECTIONS)

NO.	REVISION DESCRIPTION	BY	DATE

DRAWING TITLE: PELLA/ARCHITECT SERIES NON-IMPACT CLAD SLIDING PATIO DOOR

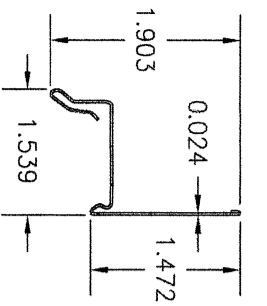
CONSULTANTS: W. W. SCHAEFER ENGINEERING & CONSULTING, P.A. (CA 6809)  
7480 150TH COURT NORTH, PALM BEACH GARDENS, FL 33418, PHONE: 561-744-3424

MANUFACTURER: Pella CORPORATION  
102 MAIN STREET, PELLA, IA 50219, 641-621-1000

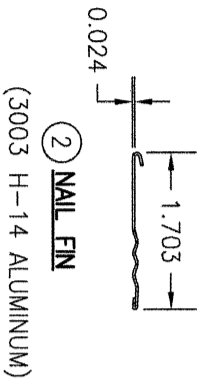
CERTIFICATION: WARREN W. SCHAEFER, P.E., P.E. NO. 44135

DRAWING NO.: 1666, REV. F

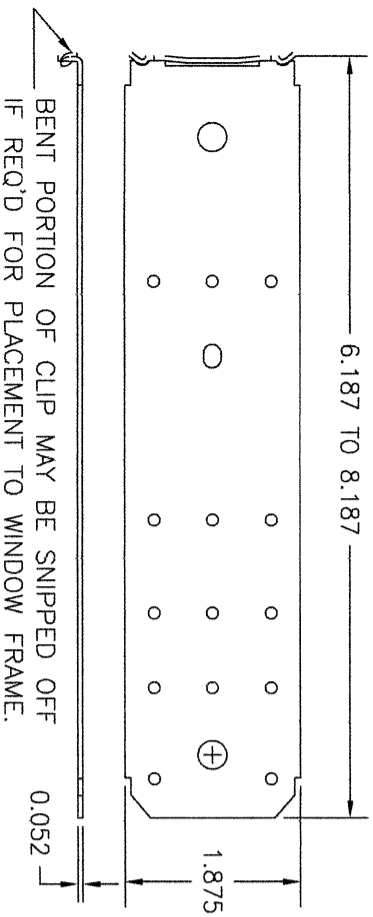
SHEET NO.: 7 OF 8



① DRIP CAP NAIL FIN  
(3003 H-14 ALUMINUM)

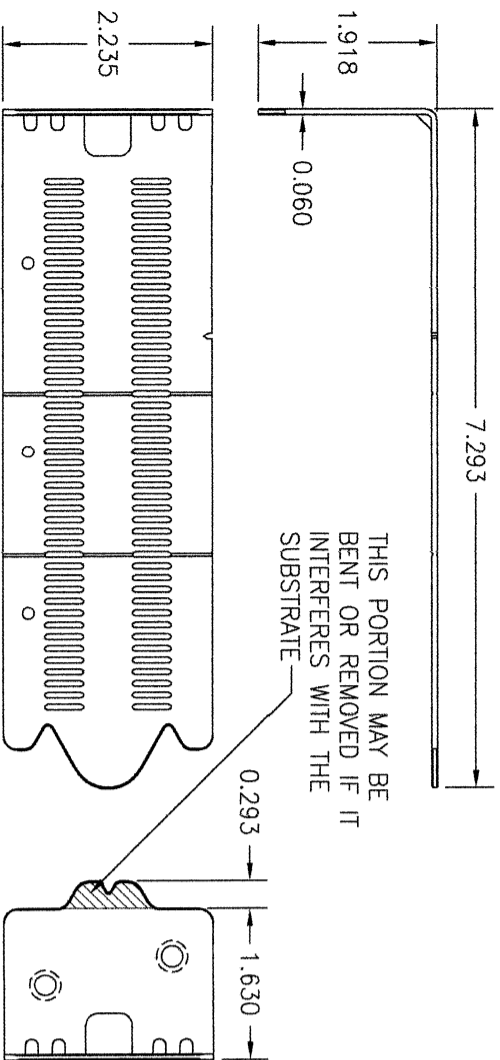


② NAIL FIN  
(3003 H-14 ALUMINUM)



③ FRAME INSTALLATION CLIP  
(50 KSI STEEL)

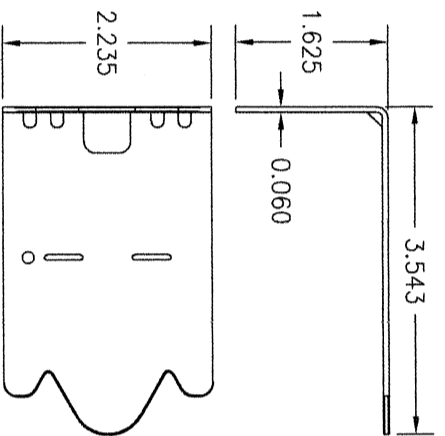
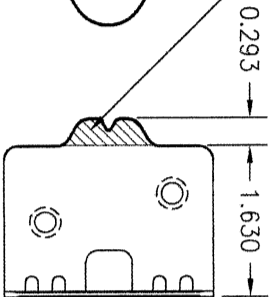
BENT PORTION OF CLIP MAY BE SNIPPED OFF IF REQ'D FOR PLACEMENT TO WINDOW FRAME.



⑥ FRAME INSTALLATION CLIP  
(50 KSI STEEL)

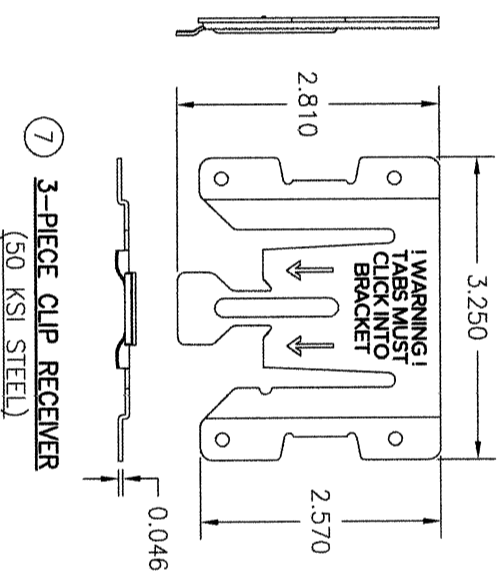
ADJUSTABLE CLIP USED WITH 3-PIECE CLIP SYSTEM

THIS PORTION MAY BE BENT OR REMOVED IF IT INTERFERES WITH THE SUBSTRATE



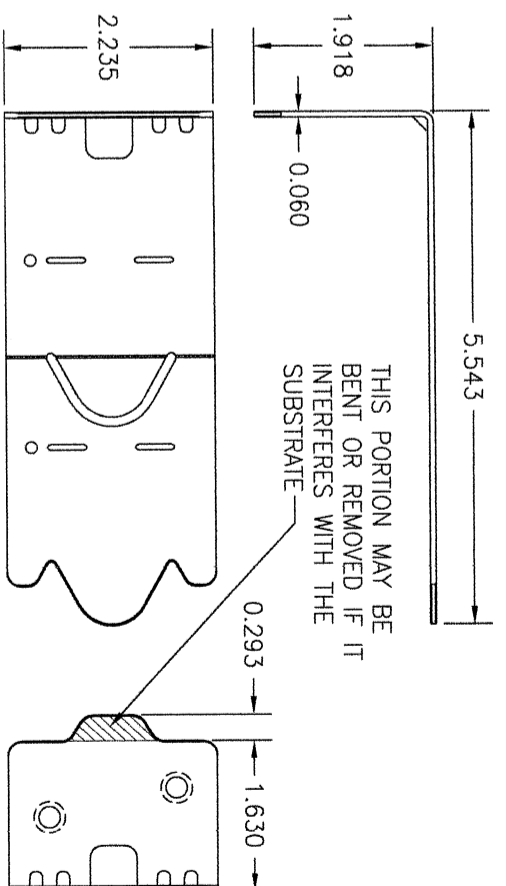
④ FRAME INSTALLATION CLIP  
(50 KSI STEEL)

SHORT CLIP USED WITH 3-PIECE CLIP SYSTEM (TYPICALLY USED WITH 2X4 BUCK SUBSTRATE)



⑦ 3-PIECE CLIP RECEIVER  
(50 KSI STEEL)

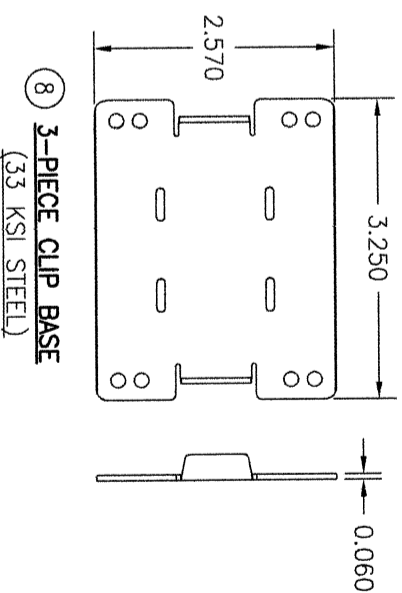
!WARNING!  
TABS MUST CLICK INTO BRACKET



⑤ FRAME INSTALLATION CLIP  
(50 KSI STEEL)

LONG CLIP USED WITH 3-PIECE CLIP SYSTEM (TYPICALLY USED WITH 2X6 BUCK SUBSTRATE, BUT MAY ALSO BE USED WITH 2X4)

THIS PORTION MAY BE BENT OR REMOVED IF IT INTERFERES WITH THE SUBSTRATE



⑧ 3-PIECE CLIP BASE  
(33 KSI STEEL)

NO.	REVISION DESCRIPTION	BY	DATE
1-2			

DRAWN BY: W.R.M.  
CHECKED BY: W.M.S.  
DATE: 04/20/09

DRAWING TITLE: PELLA/ARCHITECT SERIES NON-IMPACT CLAD SLIDING PATIO DOOR

CONSULTANTS: W. W. SCHAEFER ENGINEERING & CONSULTING, P.A. (CA 6809)  
7480 150TH COURT NORTH  
PALM BEACH GARDENS, FL 33418  
PHONE: 561-744-3424

MANUFACTURER



PELLA CORPORATION  
102 MAIN STREET  
PELLA, IA 50219  
641-621-1000

CERTIFICATION

WARREN W. SCHAEFER, P.E.  
P.E. NO. 44135

DRAWING NO.: 1666  
REV. F  
SHEET NO. 8 OF 8